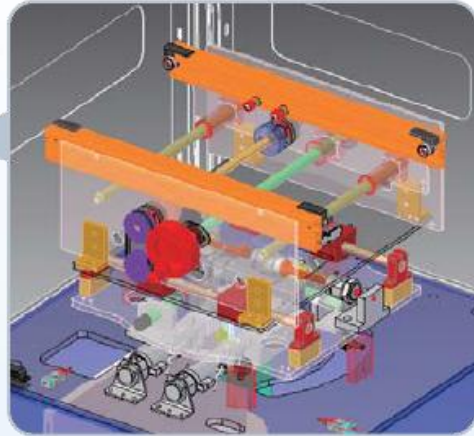


# Turn Conveyor-Horizontal AHT-50

**YJ LINK**  
Setting the Standard

This unit can turn the PCB's flow direction either counter clockwise or clockwise



## FEATURES

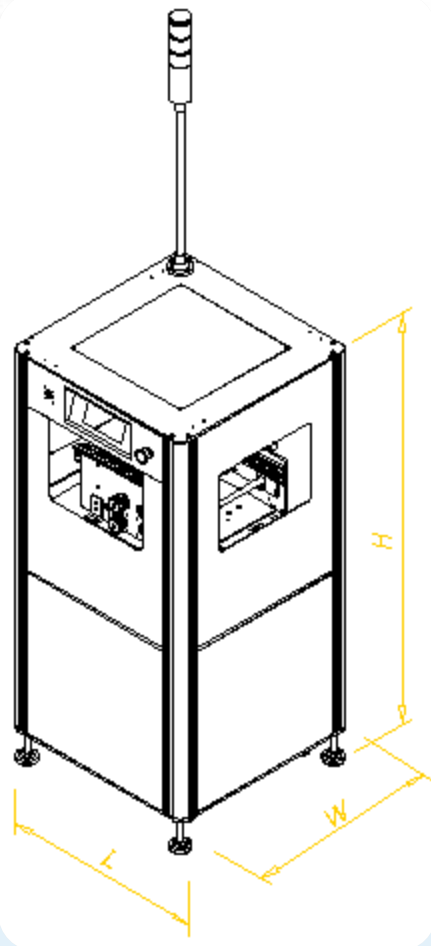
- LED tower light (with Buzzer)
- Less impact on PCB by shock absorber
- Safe turing system by cylinder
- 90° turn(CC or CCW)
- Full safety cover
- Touch screen(1ea)
- Emergency switch(1ea)
- Double plate structure
- CE Certified

## OPTIONS

- Auto width adjustment
- Conveyor speed controller
- PCB edge clearance reduction (2mm)
- Chain belt
- Multi angular transfer (180°/270° turing system by motor)
- Multi turning function(turn+invert)
- Dual type
  - ✓ Touch screen(each 1ea at front/rear)
  - ✓ Emergency switch(each 1ea at front/rear)
- RS-485Communication

# Turn Conveyor-Horizontal AHT-50

## General Specification



Transport Height	950mm±20mm / 900mm±20mm
Color	EX8816(S)-SR-WH020 (KCC)
Flow direction	Left to Right / Right to Left
Fixed rail	Front / Rear
Conveyor speed	200mm/min.
Conveyor belt	Antistatic 10 <sup>10~12</sup> Tem: 70°
PCB Thickness	0.5T ~ 5T
PCB edge	3mm
Interface	SMEMA
PLC	PANASONIC
Air supply	0.5Mpa(5bar)
Power	0.3Kw(110~240V/50~60Hz) 1Phase

### \* Customization

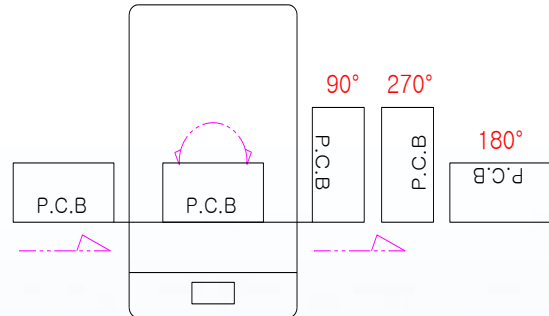
MODEL	TYPE	Max PCB(LXW)	Min PCB(LXW)	DIMENSION (LXWXH)	WEIGHT (Kg)
AHT-50	S	330 X 250	50 X 50	620 X 620 X 1150	120
AHT-50	Y	440 X 330		700 X 700 X 1150	130
AHT-50	L	530 X 375		840 X 840 X 1150	140
AHT-50	X	530 X 460		840 X 840 X 1150	150
AHT-50	2X	610 X 460		840 X 840 X 1150	150

The information in this specification consists only of general descriptions and/or performance features, which is not contractually binding. Any specific performance features / capabilities will only be binding if contractually agreed.

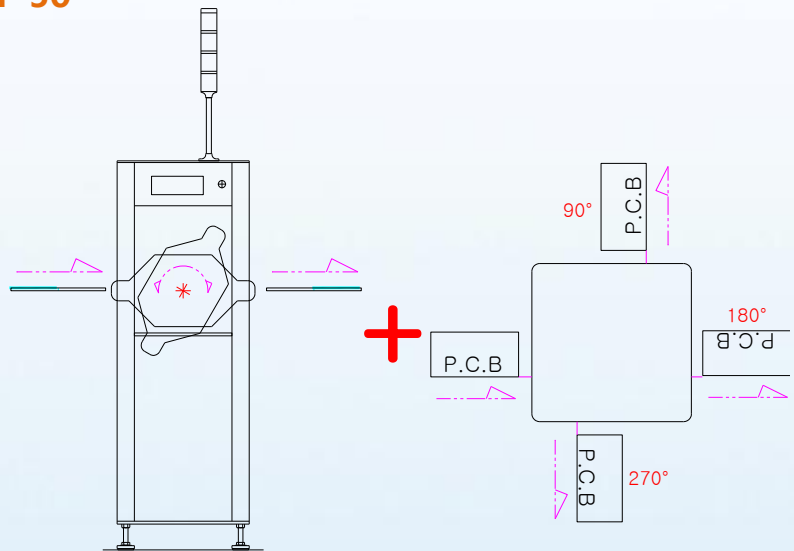
# Turn Conveyor-Horizontal AHT-50

## Multi Turning Type

### Multi angular transfer



### Multi(turn+invert) AVHT-50



\* Customization

MODEL	TYPE	Max PCB(LXW)	Min PCB(LXW)	DIMENSION (LXWXH)	WEIGHT (Kg)
AVHT-50	S	330 X 250	50 X 50	600 X 900 X 1260	150
AVHT-50	Y	440 X 330		600 X 980 X 1260	160
AVHT-50	L	530 X 375		780 X 1025 X 1260	170
AVHT-50	X	530 X 460		780 X 1110 X 1260	180
AVHT-50	2X	610 X 460		780 X 1110 X 1260	180

The information in this specification consists only of general descriptions and/or performance features, which is not contractually binding. Any specific performance features / capabilities will only be binding if contractually agreed.